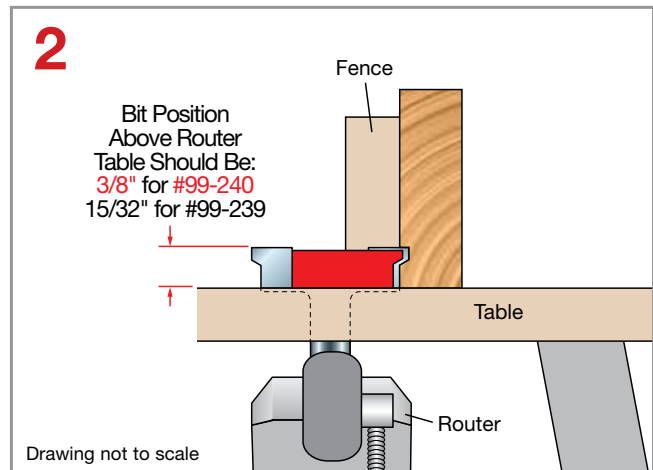
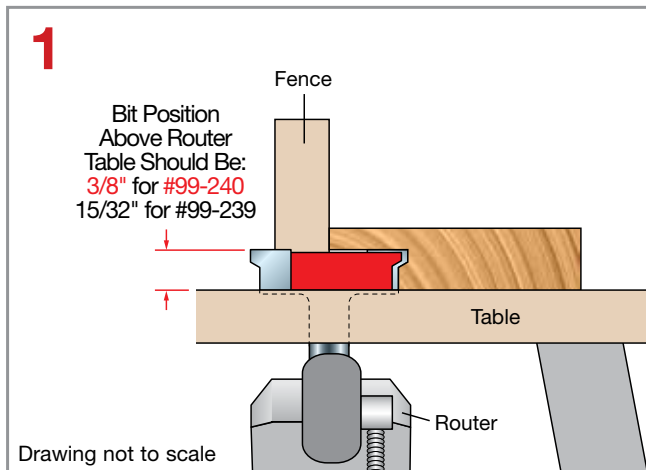
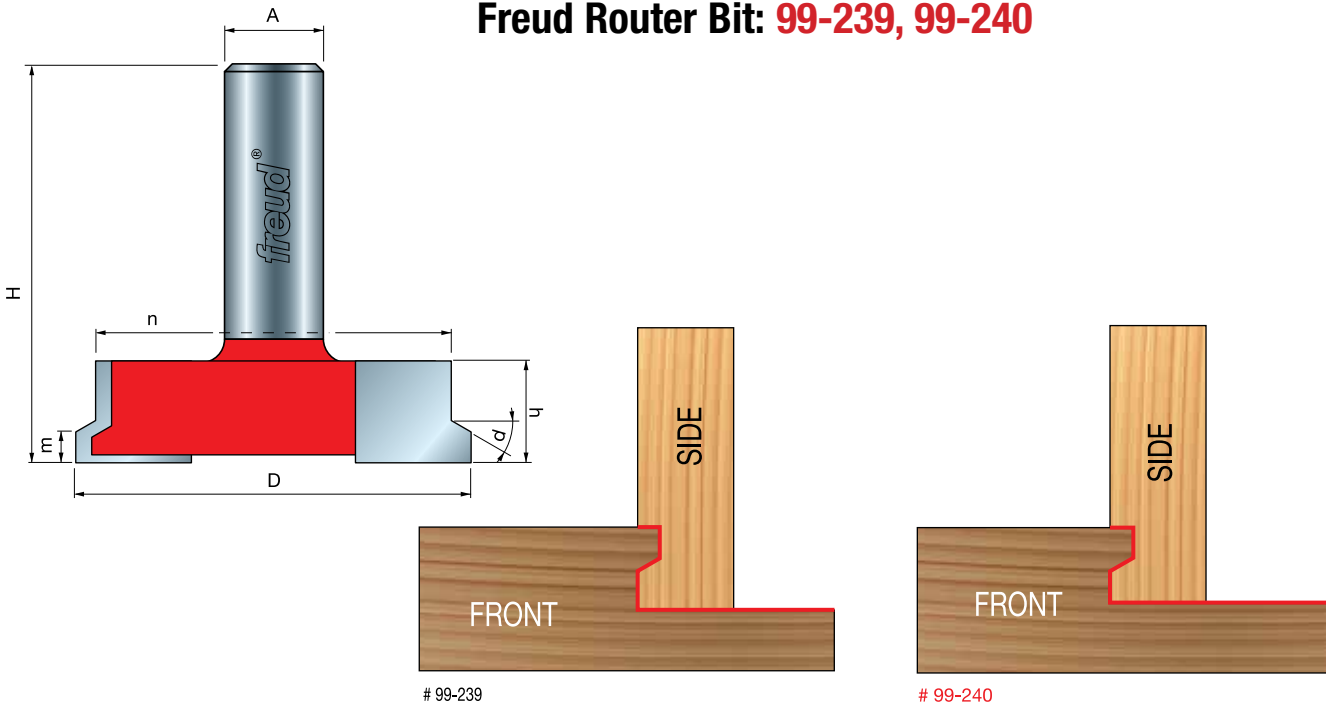


Freud Router Bit: 99-239, 99-240



Drawer lock bits should be positioned above the router table as shown above for optimal performance.

